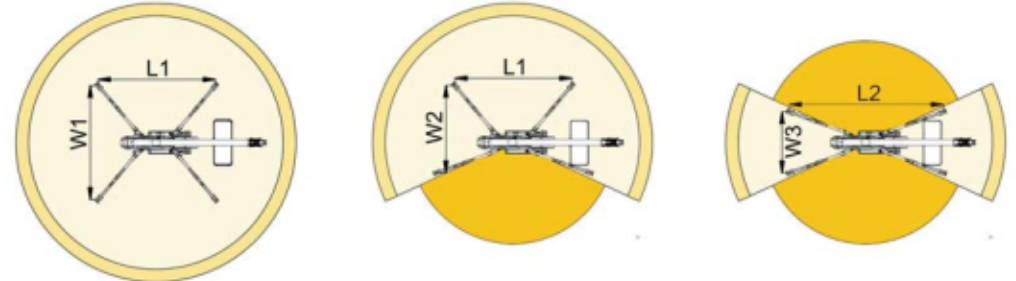
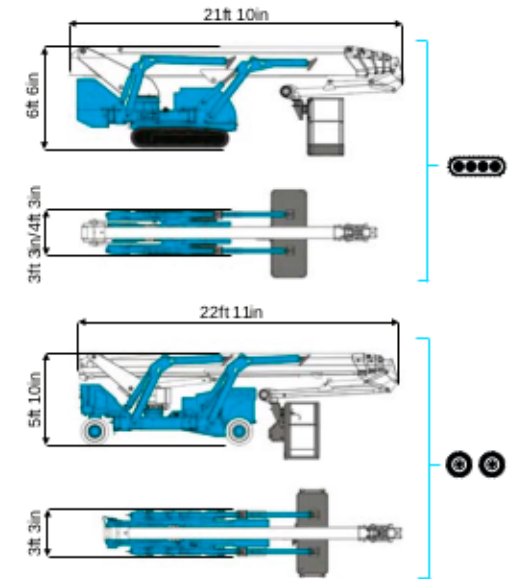
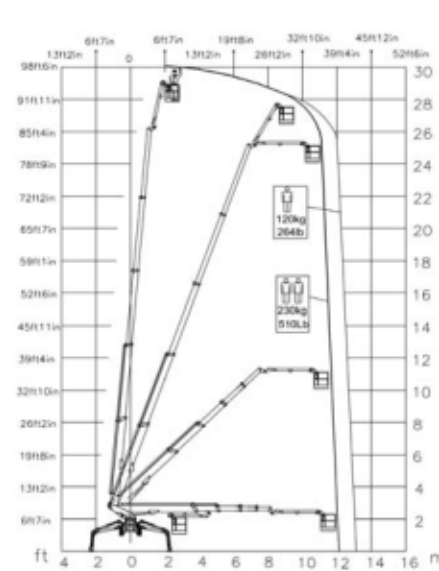




98ft 5in ↑
42ft 8in →
510 lb 👤 👤



42ft 8in	42ft 9in	26ft 3in	L1	L2	W1	W2	W3
510 lb	264 lb	264/510 lb	16ft 2in	21ft 1in	16ft 4in	12ft 7in	9ft 5in

BI-ENERGY
Diesel+AC



T SJ 98/C	🔋	98ft 5in	42ft 9in	510 lb	170°	660°	5ft 11inx2ft 4in	90°+80°	9ft 5in-16ft 4in	44%	42%	0,62 mph	10251 lb	6519 lb	39,68 psf	81,02 psf
T SJ 98/R	Ⓢ Ⓢ	98ft 5in	42ft 9in	510 lb	170°	660°	5ft 11inx2ft 4in	90°+80°	9ft 5in-16ft 4in	44%	29%	1,24 mph	10670 lb	6519 lb	41,35 psf	80,41 psf

Available version:

BI-ENERGY (DIESEL+AC)
ECO (DC+AC)
HYBRID (DIESEL+DC)

Characteristics and technical data are informative only and subjected to change without notice.



COMPANY WITH
QUALITY SYSTEM
CERTIFIED BY DNV GL
= ISO 9001 =